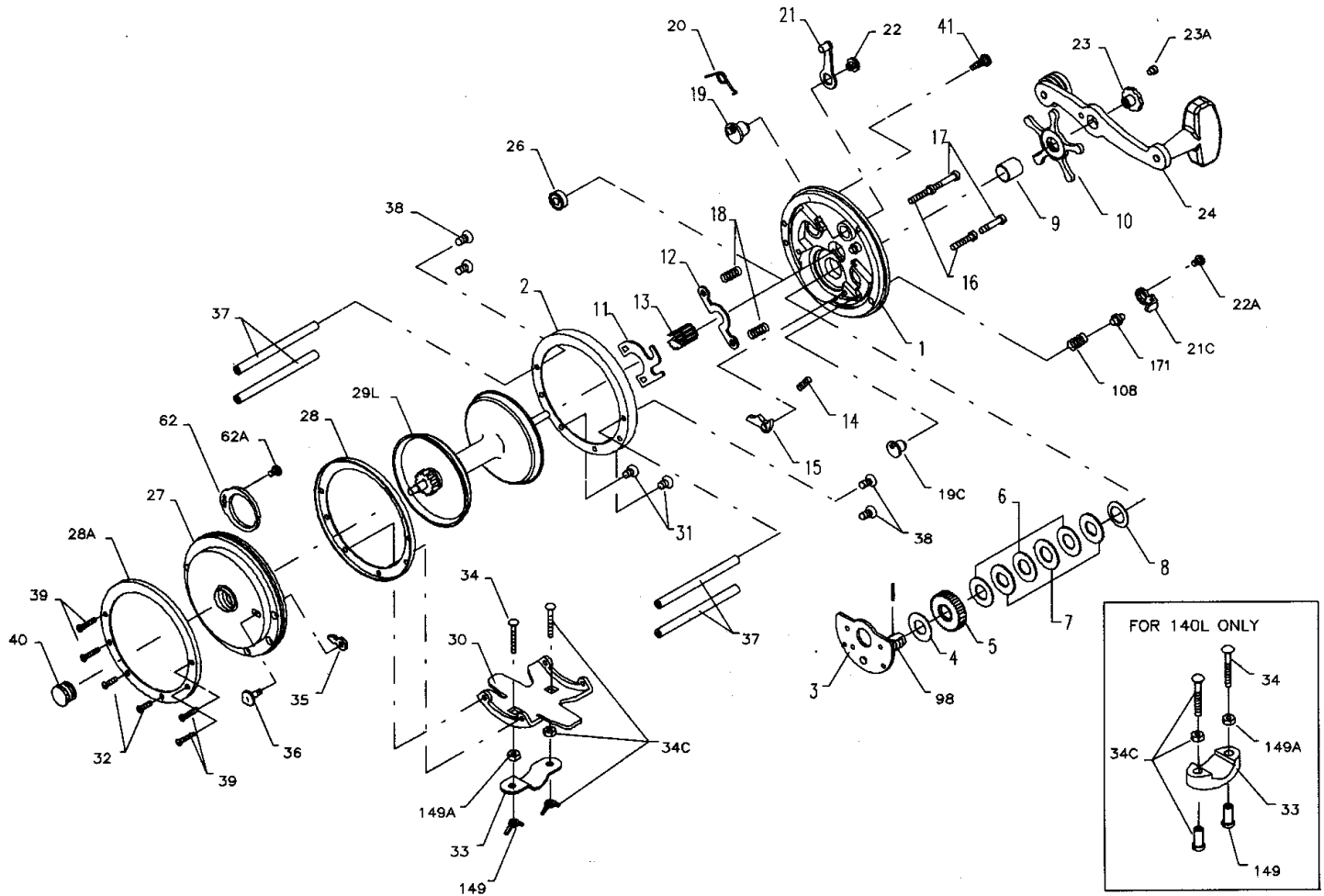




PARTS LIST FOR MODELS 140L AND 146L



KEY NO.	DESCRIPTION	PART NO.
1	Right Side Plate	1N-140
	Right Side Plate	1N-146
2	R.S. Ring	2-200
3	Bridge w/Sleeve	3-200
4	Fiber Washer	4-155
5	Main Gear	5-60
6	Drag Washer (3 req.)	6-60
7	Metal Washer Set	7C-60
8	Tension Spring	8-60
9	Spacing Sleeve	9-60
10	Star Drag Wheel	10-140
11	Eccentric Jack	11-200
12	Pinion Yoke	12-155
13	Pinion	13-140
14	Dog Spring	14-140
15	Dog	15-140
16	Lower Bridge Screw	16-60
17	Upper Bridge Screw	17-60
18	Clutch Spring (2 req.)	18-60
19	Eccentric	19-200
19C	Eccentric	19-140S
20	Eccentric Spring	20-155
21	Eccentric Lever	21-200
21C	Eccentric Lever	21-140S
22	Eccentric Screw	22-99
22A	Eccentric Screw	22-109
23	Handle Screw	23-60
23A	Handle Lock Screw	110-60
24	Handle	24-155
26	R.S. Bearing	26-140

KEY NO.	DESCRIPTION	PART NO.
27	Left Side Plate	27-140
28	Outer Left Side Ring	28-140-0
28A	Inner Left Side Ring	2-155
29L	Spool	29L-140
	Spool	29L-146
30	Stand (140)	30-200
	Stand (146)	30-49
31	Stand Screw (R.S.)	31-19
32	Stand Screw (L.S.)	32-18
33	Rod Clamp (140)	33-113
	Rod Clamp (146)	33-49
	Ringed Rod Clamp (Optional)	*33R-200
	Ringed Rod Clamp (146) (Optional)	*33R-49
34	Clamp Screw (140) (2 req.)	34-45
	Clamp Screw (146) (2 req.)	34-49
34C	Rod Clamp Screw w/Nuts (140)	34C-45
	Rod Clamp Screw w/Nuts (146)	34C-49
35	Click Tongue	35-155
36	Click Button	36-155
37	Frame Post (140)	37-67
	Frame Post (140-146)	37-180
38	R.S. Post Screw	38-7
39	L.S. Post Screw	39-9
40	L.S. Bearing	40-140
41	Take Apart Thumb Screw	TA-200
98	Gear Sleeve	98-155
108	Lever Spring	108-140
149	Clamp Nut (140) (2 req.)	149-45
	Wing Nut (146) (2 req.)	149-49
149A	Hex Nut	149-200
171	Eccentric Plunger	171-140

\*Not Shown